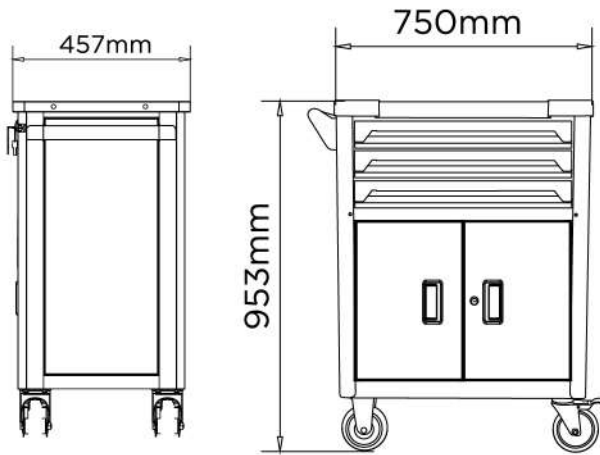




INSULATED TOOLS

68Pcs VDE Insulated Comprehensive Tool Set >>>>



Size: 750x457x953 mm



VDETC68C

68Pcs VDE Insulation Comprehensive Tool Set



17PCS

SPECIFICATIONS

- 13Pcs Ring Wrench: 8, 10, 12, 13, 14, 15, 16, 17, 18, 19, 21, 22, 24mm
- 1Pc 6" Diagonal Pliers
- 1Pc 8" Long Nose Pliers
- 1Pc 8" Combination Pliers
- 1Pc 1# Electrician Knife.



31PCS

SPECIFICATIONS

- 2Pcs Extension Bar: 3/8"x5" and 3/8"x10"
- 8Pcs Socket: 8, 10, 12, 13, 14, 16, 17, 18mm
- 2Pcs Extension Bar: 1/2"x5" and 1/2"x10"
- 1Pc T Type Wrench
- 11Pcs socket: 10, 11, 12, 13, 14, 16, 17, 19, 21, 22, 24mm
- 5Pcs Bit Socket: H4, 5, 6, 8, 10
- 2Pcs Ratchet Wrench: 3/8" and 1/2"



20PCS

SPECIFICATIONS

- 13Pcs Open Wrench: 8, 10, 12, 13, 14, 15, 16, 17, 18, 19, 21, 22, 24mm
- 6Pcs Screwdriver
- 1Pc 8" Adjustable Wrench



•Standard handle



•Resistant and solid top cover having 5 divisions



• Central lock system, handgriplock system and antitilt system



•Cabinet lock, anti-tilt



•100% extendable slides



• 2 Swivel castors with brake 2 fixed castors